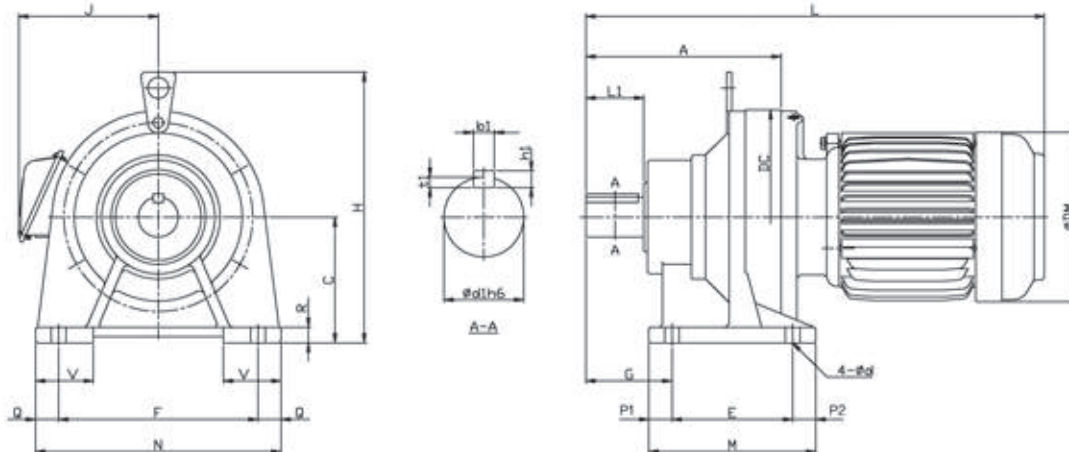
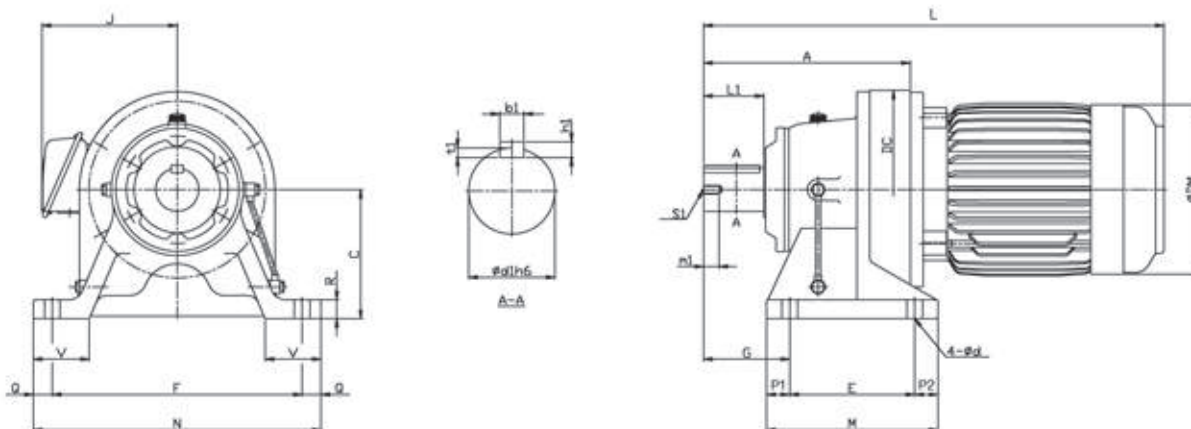


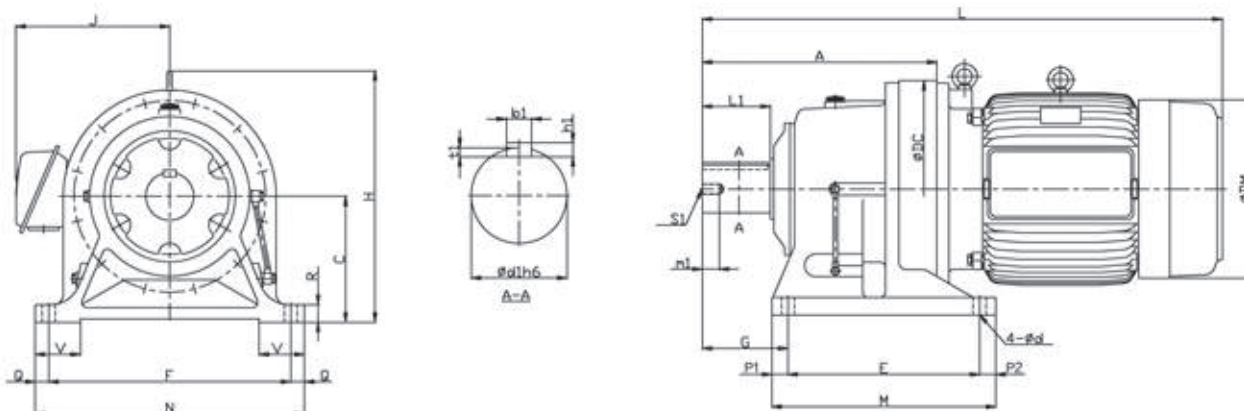
● KNHM 8807~8812



● KHHM 8813~8814



● KHHM 8816~8818

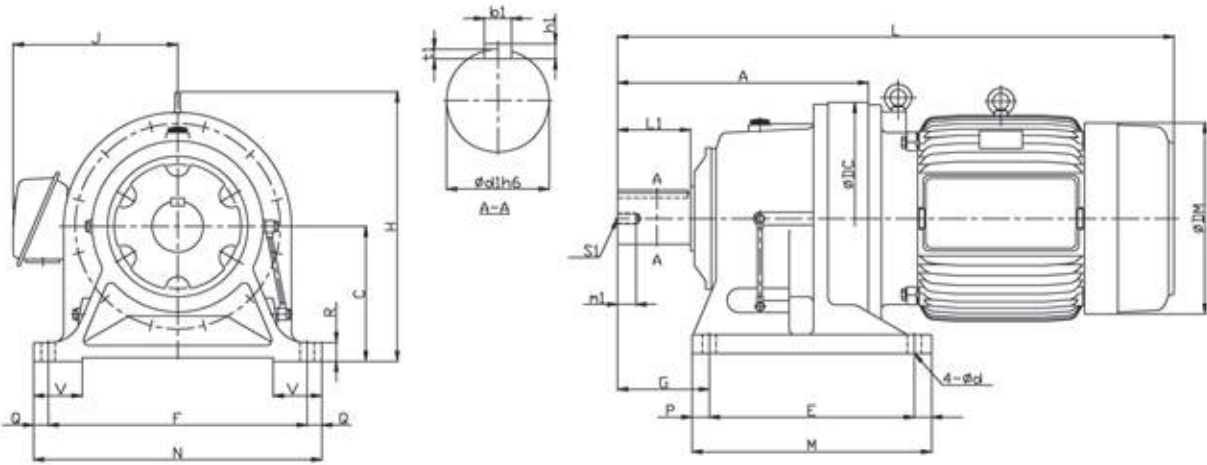


※주의 전체길이 "L"은 모터의 연결방식과 Brake부착에 따라 다소 길어짐.

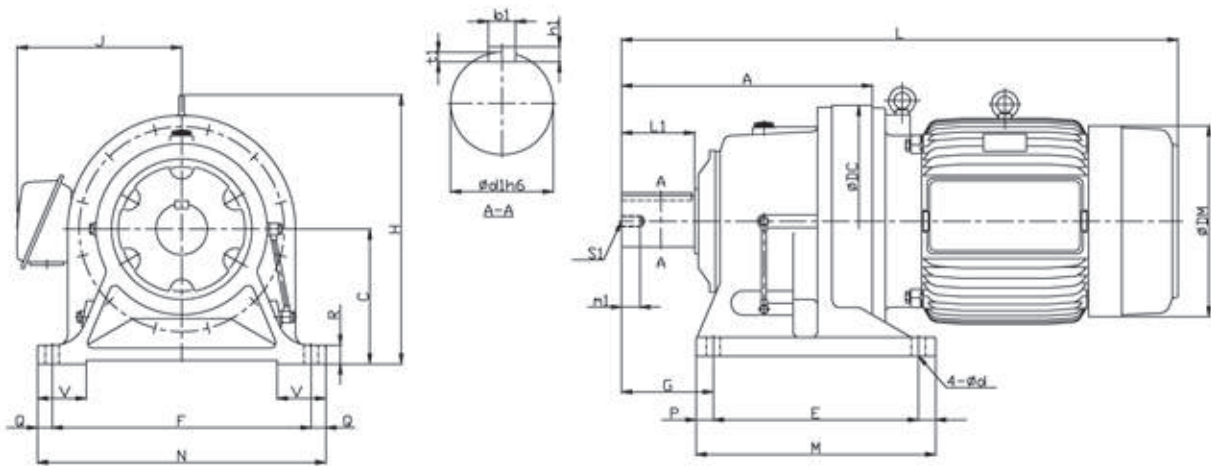
(kW)	Model	Dim. Of side																	Output shaft					WT (kg)	
		L	A	J	DM	N	F	C	R	V	Q	M	E	P1	P2	d	DC	H	G	L1	d1	b1×h1×t1	S1		m1
0.2	KNHM-02-8807	311	92	121	144	148	120	80	10	35	14	88	60	14	14	4-φ9	110	135	41	25	14	5×5×3			27
0.2	KNHM-02-8808	317		121	144	148	120	80	10	35	14	88	60	14	14	4-φ9	110	135	47	30	18	6×6×3.5			27
0.4	KNHM-05-8808	388	98	132	162																				31
0.2	KNHM-02-8809	361		121	144																				41.8
0.4	KNHM-05-8809	382	142	158	162	184	150	100	12	40	17	134	90	17	27	4-φ11	150	207	60	35	28	8×7×4			43
0.75	KNHM-1-8809	381		158	177																				43
0.2	KNHM-02-8810	385		121	144																				51
0.4	KNHM-05-8810	396		158	162													207							44
0.75	KNHM-1-8810	395	156	158	177	184	150	100	12	40	17	139	90	17	32	4-φ11	150		60	35	28	8×7×4			44
1.5	KNHM-2-8810	432		172	200																				46
2.2	KNHM-3-8810	467		180	219													225							62
0.4	KNHM-05-8811	425		158	162																				55
0.75	KNHM-1-8811	434		158	177														257						55
1.5	KNHM-2-8811	471	186	172	197	234	190	120	15	55	22	159	115	22	22	4-φ14	204		82	55	38	10×8×5			57
2.2	KNHM-3-8811	497		180	219																				73
3.7	KNHM-5-8811	513		205	252													276							77
0.4	KNHM-05-8812	425		158	162																				56
0.75	KNHM-1-8812	434		158	177														277						56
1.5	KNHM-2-8812	471	186	172	197	234	190	140	15	60	22	159	115	22	22	4-φ14	204		82	55	38	10×8×5			58
2.2	KNHM-3-8812	497		180	219																				74
3.7	KNHM-5-8812	513		205	252													280							78
0.75	KHHM-1-8813	484		158	177																				74
1.5	KHHM-2-8813	525		172	200														300						76
2.2	KHHM-3-8813	551	240	180	219	334	290	150	22	65	22	199	145	27	27	4-φ18	230		100	70	50	14×9×5.5			92
3.7	KHHM-5-8813	570		205	238													303							96
5.5	KHHM-8-8813	614		220	273																				124
7.5	KHHM-10-8813	652		220	273													328							131
0.75	KHHM-1-8814	504		158	177																				75
1.5	KHHM-2-8814	544		172	200														300						77
2.2	KHHM-3-8814	571	260	180	219	334	290	150	22	65	22	199	145	27	27	4-φ18	230		120	90	50	14×9×5.5	M10	18	93
3.7	KHHM-5-8814	590		205	238													303							97
5.5	KHHM-8-8814	634		220	273																				125
7.5	KHHM-10-8814	672		220	273													328							131
1.5	KHHM-2-8816	593		172	200																				118
2.2	KHHM-3-8816	622		180	219														320						134
3.7	KHHM-5-8816	641		205	238																				138
5.5	KHHM-8-8816	675	308	220	273	414	370	160	25	75	22	242	150	46	46	4-φ18	300		139	90	60	18×11×7	M10	18	166
7.5	KHHM-10-8816	713		220	273													338							173
11	KHHM-15-8816	800		272	334																				224
15	KHHM-20-8816	844		272	334													337							232
3.7	KHHM-5-8817	697		205	238																				178
5.5	KHHM-8-8817	731		220	273																				206
7.5	KHHM-10-8817	769		220	273														411						213
11	KHHM-15-8817	844	352	272	334	434	380	200	30	80	27	339	275	32	32	4-φ22	340		125	90	70	20×12×7.5	M12	24	264
15	KHHM-20-8817	888		272	334																				272
18.5	KHHM-25-8817	911		282	382																				287
22	KHHM-30-8817	911		282	382													430							287
3.7	KHHM-5-8818	756		205	238																				215
5.5	KHHM-8-8818	775		220	273																				243
7.5	KHHM-10-8818	815		220	273														446						250
11	KHHM-15-8818	883	389	272	334	474	420	220	30	85	27	384	320	32	32	4-φ22	370		145	110	80	22×14×9	M12	24	301
15	KHHM-20-8818	927		272	334																				309
18.5	KHHM-25-8818	950		282	382																				324
22	KHHM-30-8818	950		282	382																				324
30	KHHM-40-8818	988		288	382													460							345

A  
B  
C  
D  
E  
F  
G

● KHHM 8819 ~ 8822



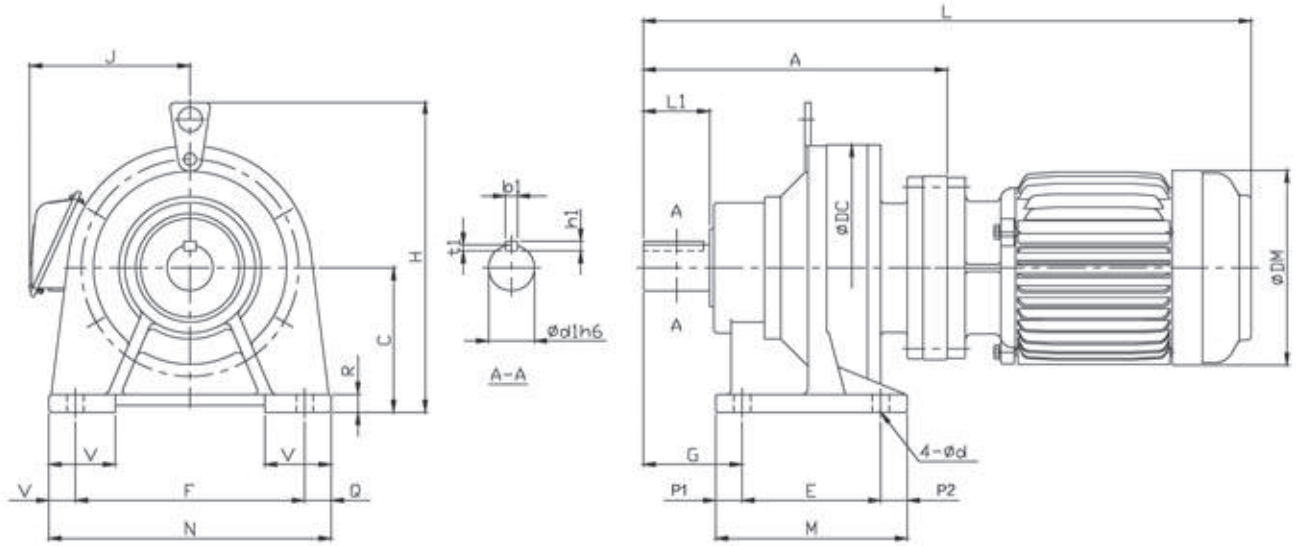
● KHHM 8823 ~ 8826



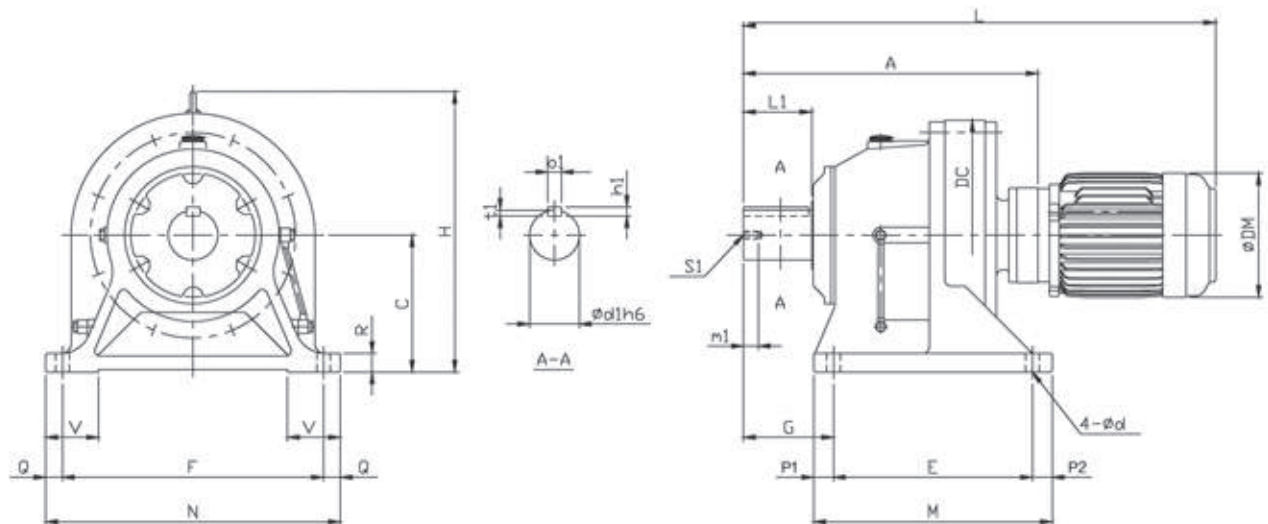
※주의 전체길이 "L"은 모터의 연결방식과 Brake부착에 따라 다소 길어짐.



● KNHM 8807/07 ~ 8811/09



● KHHM 8813/08 ~ 8817/10

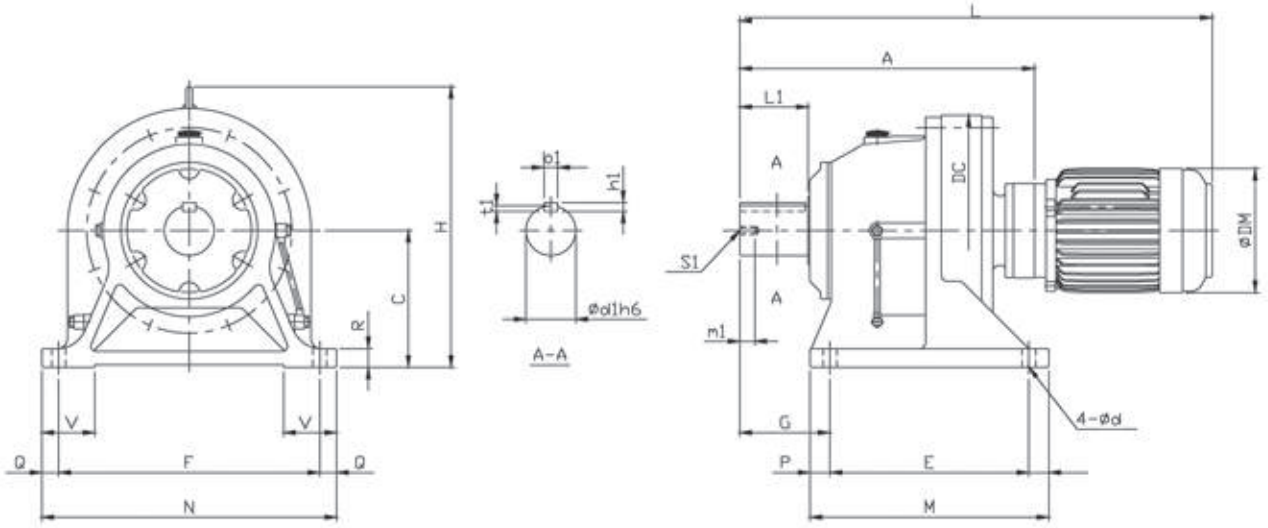


※주의 전체길이 "L"은 모터의 연결방식과 Brake부착에 따라 다소 길어짐.

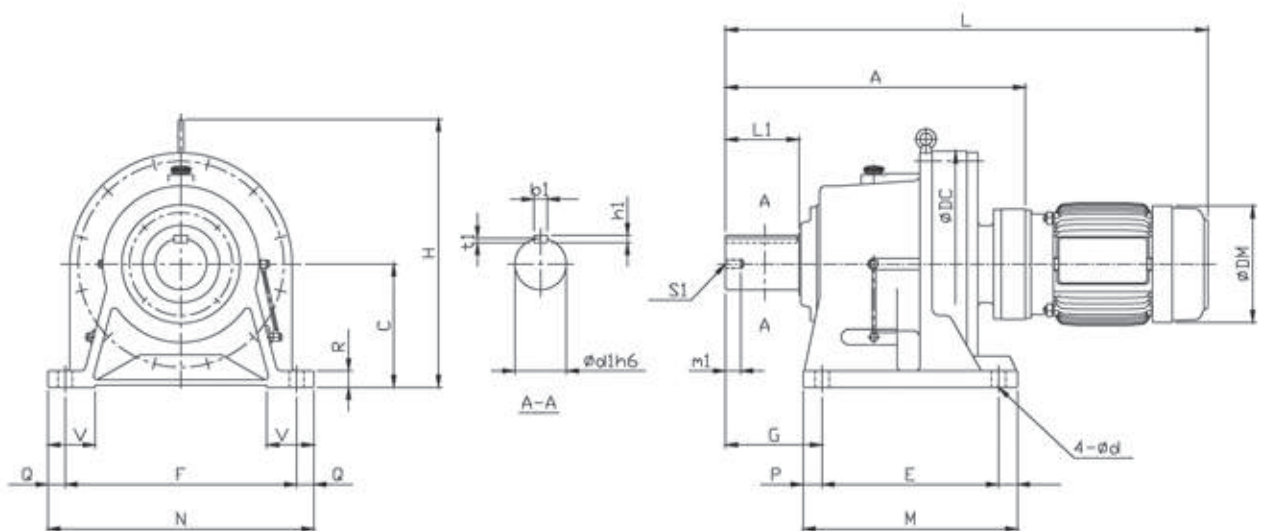
(kW)	Model	Dim. Of side																	Output shaft					WT (kg)		
		L	A	J	DM	N	F	C	R	V	Q	M	E	P1	P2	d	DC	H	G	L1	d1	b1×h1×t1	S1		m1	
0.1	KNHM-01-8807/07	307	125	85	124	148	120	80	10	35	14	88	60	14	14	4-φ9	110		41	25	14	5×5×3			22	
0.1	KNHM-01-8808/07	324	131	85	124	148	120	80	10	35	14	88	60	14	14	4-φ9	110		47	30	18	6×6×3.5			24	
0.2	KNHM-02-8809/08	409	190	121	144	184	150	100	12	40	17	134	90	17	27	4-φ11	150	207	60	35	28	8×7×4			27	
0.2	KNHM-02-8810/08 KNHM-05-8810/08	423	204	121	144	184	150	100	12	40	17	139	90	17	32	4-φ11	150	207	60	35	28	8×7×4			34 28	
0.4		162		162	162																					
0.2	KNHM-02-8811/08 KNHM-05-8811/08	459	240	121	144	234	190	120	15	55	22	159	115	22	22	4-φ14	204	257	82	55	38	10×8×5			40 43	
0.4		132		167	167																					
0.2	KNHM-02-8811/09 KNHM-05-8811/09 KNHM-1-8811/09	471	252	131	144	234	190	120	15	55	22	159	115	22	22	4-φ14	204	257	82	55	38	10×8×5			45 60 60	
0.4		162		162	162																					
0.75		162		177	177																					
0.2	KHMM-02-8813/08 KHMM-05-8813/08	513	294	121	144	334	290	150	22	65	22	199	145	27	27	4-φ18	230	300	100	70	50	14×9×5.5	M10	18	49 54	
0.4		534		132	162																					162
0.2	KHMM-02-8813/09 KHMM-05-8813/09 KHMM-1-8813/09	522	303	121	144	334	290	150	22	65	22	199	145	27	27	4-φ18	230	300	100	70	50	14×9×5.5	M10	18	53 76 76	
0.4		562		162	164																					162
0.75		562		162	164																					162
0.4	KHMM-05-8813/10 KHMM-1-8813/10 KHMM-2-8813/10 KHMM-3-8813/10	577	317	162	164	334	290	150	22	65	22	199	145	27	27	4-φ18	230	300	100	70	50	14×9×5.5	M10	18	76 76 78 94	
0.75		577		162	164																					164
1.5		632		178	200																					200
2.2		663		199	219																					219
0.2	KHMM-02-8814/08 KHMM-05-8814/08	553	314	121	144	334	290	150	22	65	22	199	145	27	27	4-φ18	230	300	120	90	50	14×9×5.5	M10	18	50 54	
0.4		554		132	162																					162
0.2	KHMM-02-8814/09 KHMM-05-8814/09 KHMM-1-8814/09	542	323	121	144	334	290	150	22	65	22	199	145	27	27	4-φ18	230	300	120	90	50	14×9×5.5	M10	18	53 76 76	
0.4		582		162	164																					164
0.75		582		162	164																					164
0.4	KHMM-05-8814/10 KHMM-1-8814/10 KHMM-2-8814/10 KHMM-3-8814/10	597	337	162	164	334	290	150	22	65	22	199	145	27	27	4-φ18	230	300	120	90	50	14×9×5.5	M10	18	76 76 78 94	
0.75		597		162	164																					164
1.5		652		178	200																					200
2.2		683		199	219																					219
0.2	KHMM-02-8816/09 KHMM-05-8816/09 KHMM-1-8816/09	592	373	121	144	414	370	160	25	75	22	242	150	46	46	4-φ18	300	349	139	90	60	18×11×7	M10	18	94 116 116	
0.4		633		162	164																					164
0.75		633		162	164																					164
0.4	KHMM-05-8816/10 KHMM-1-8816/10 KHMM-2-8816/10 KHMM-3-8816/10	647	387	162	164	414	370	160	25	75	22	242	150	46	46	4-φ18	300	349	139	90	60	18×11×7	M10	18	118 118 120 136	
0.75		647		162	164																					164
1.5		702		178	200																					200
2.2		733		199	219																					219
0.4	KHMM-05-8816/11 KHMM-1-8816/11 KHMM-2-8816/11 KHMM-3-8816/11 KHMM-5-8816/11	649	389	164	162	414	370	160	25	75	22	242	150	46	46	4-φ18	300	349	139	90	60	18×11×7	M10	18	125 125 127 143 147	
0.75		649		164	177																					177
1.5		702		178	200																					200
2.2		733		199	219																					219
3.7		719		216	238																					238
0.2	KHMM-02-8817/09 KHMM-05-8817/09 KHMM-1-8817/09	637	418	121	144	434	380	200	30	80	27	339	275	32	32	4-φ22	340	416	125	90	70	20×12×7.5	M12	24	130 150 150	
0.4		678		162	164																					164
0.75		678		162	164																					164
0.4	KHMM-05-8817/10 KHMM-1-8817/10 KHMM-2-8817/10 KHMM-3-8817/10	672	432	132	162	434	380	200	30	80	27	339	275	32	32	4-φ22	340	416	125	90	70	20×12×7.5	M12	24	155 155 157 173	
0.75		671		137	177																					177
1.5		708		150	200																					200
2.2		735		173	219																					219

A  
B  
C  
D  
E  
F  
G

● KHHM 8817/11 ~ 8819/13



● KHHM 8820/11 ~ 8821/16



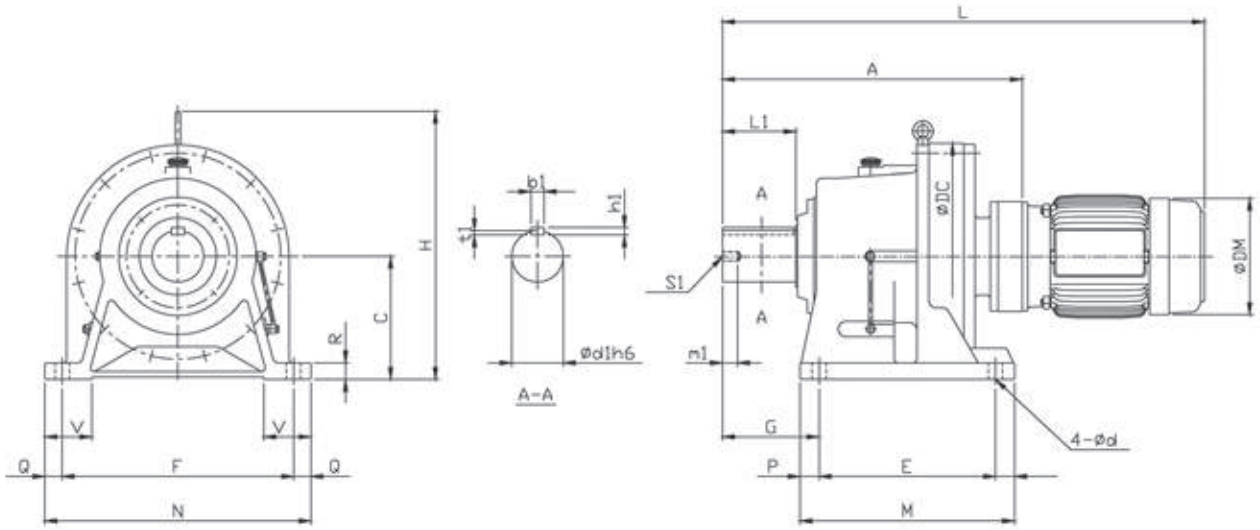
※주의 전체길이 "L"은 모터의 연결방식과 Brake부착에 따라 다소 길어짐.

(kW)	Model	Dim. Of side														Output shaft					WT (kg)			
		L	A	J	DM	N	F	C	R	V	Q	M	E	P	d	DC	H	G	L1	d1		b1×h1×t1	S1	m1
0.4	KHHM-05-8817/11	696		162	162																			160
0.75	KHHM-1-8817/11	696		162	177																			160
1.5	KHHM-2-8817/11	751	436	178	200	434	380	200	30	80	27	339	275	32	4-φ22	340	416	125	90	70	20×12×7.5	M12	24	162
2.2	KHHM-3-8817/11	782		199	219																			178
3.7	KHHM-5-8817/11	766		216	238																			182
0.4	KHHM-05-8818/10	734		162	162																			196
0.75	KHHM-1-8818/10	734	474	162	177	474	420	220	30	85	27	384	320	32	4-φ22	370	451	145	110	80	22×14×9	M12	24	196
1.5	KHHM-2-8818/10	789		178	200																			198
2.2	KHHM-3-8818/10	820		199	219																			214
0.75	KHHM-1-8818/13	756		162	177																			215
1.5	KHHM-2-8818/13	811		178	200																			217
2.2	KHHM-3-8818/13	842	496	199	219	474	420	220	30	85	27	384	320	32	4-φ22	370	451	145	110	80	22×14×9	M12	24	233
3.7	KHHM-5-8818/13	826		216	238																			238
5.5	KHHM-8-8818/13	870		236	273																			265
7.5	KHHM-10-8818/13	908		236	273																			272
0.4	KHHM-05-8819/11	816		162	162																			270
0.75	KHHM-1-8819/11	816		162	177																			270
1.5	KHHM-2-8819/11	871	556	178	200	534	480	250	35	90	27	444	380	32	4-φ26	430	531	170	135	95	25×14×9	M20	34	272
2.2	KHHM-3-8819/11	902		199	219																			288
3.7	KHHM-5-8819/11	883		216	238																			292
0.75	KHHM-1-8819/13	832		162	177																			280
1.5	KHHM-2-8819/13	887		178	200																			282
2.2	KHHM-3-8819/13	917	572	199	219	534	480	250	35	90	27	444	380	32	4-φ26	430	531	170	135	95	25×14×9	M20	34	298
3.7	KHHM-5-8819/13	902		216	238																			302
5.5	KHHM-8-8819/13	946		236	273																			330
7.5	KHHM-10-8819/13	984		236	273																			337
0.4	KHHM-05-8820/11	857		162	162																			291
0.75	KHHM-1-8820/11	857		162	177																			291
1.5	KHHM-2-8820/11	912	597	178	200	534	440	250	35	100	47	444	360	42	4-φ26	448	530	215	165	100	28×16×10	M20	34	293
2.2	KHHM-3-8820/11	943		199	219																			309
3.7	KHHM-5-8820/11	924		216	238																			313
0.75	KHHM-1-8820/13	884		162	177																			305
1.5	KHHM-2-8820/13	939		178	200																			307
2.2	KHHM-3-8820/13	970	624	199	219	534	440	250	35	100	47	444	360	42	4-φ26	448	530	215	165	100	28×16×10	M20	34	323
3.7	KHHM-5-8820/13	954		216	238																			327
5.5	KHHM-8-8820/13	998		236	273																			355
7.5	KHHM-10-8820/13	1036		236	273																			362
0.75	KHHM-1-8821/13	910		162	177																			385
1.5	KHHM-2-8821/13	965		178	200																			387
2.2	KHHM-3-8821/13	996	650	199	219	584	440	265	40	110	52	479	395	42	4-φ26	485	575	210	165	110	28×16×10	M20	34	403
3.7	KHHM-5-8821/13	980		216	238																			407
5.5	KHHM-8-8821/13	1024		236	273																			435
7.5	KHHM-10-8821/13	1062		236	273																			442
2.2	KHHM-3-8821/16	1021		199	219																			423
3.7	KHHM-5-8821/16	1008		216	238																			427
5.5	KHHM-8-8821/16	1054	675	236	273	584	440	265	40	110	52	479	395	42	4-φ26	485	575	210	165	110	28×16×10	M20	34	455
7.5	KHHM-10-8821/16	1092		236	273																			462
11	KHHM-15-8821/16	1167		301	334																			513

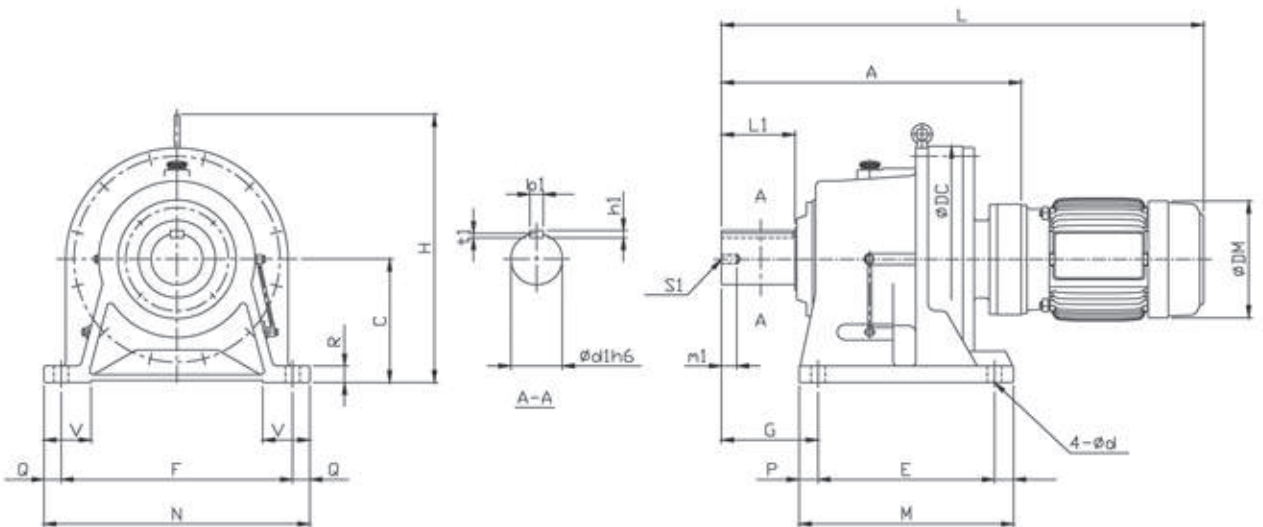
A  
B  
C  
D  
E  
F  
G



● KHHM 8822/13 ~ 8824/16



● KHHM 8824/18 ~ 8827/19



※주의 전체길이 "L"은 모터의 연결방식과 Brake부착에 따라 다소 길어짐.

(kW)	Model	Dim. Of side																Output shaft					WT (kg)	
		L	A	J	DM	N	F	C	R	V	Q	M	E	P	d	DC	H	G	L1	d1	b1×h1×t1	S1		m1
0.75	KHHM-1-8822/13	952		162	177																			460
1.5	KHHM-2-8822/13	1009		178	200																			462
2.2	KHHM-3-8822/13	1038		199	219																			478
3.7	KHHM-5-8822/13	1022	692	216	238	624	540	280	40	115	42	524	420	52	4-φ33	526	610	230	165	120	32×18×11	M20	34	482
5.5	KHHM-8-8822/13	1066		236	273																			510
7.5	KHHM-10-8822/13	1104		236	273																			517
3.7	KHHM-5-8822/17	1080		216	238																			527
5.5	KHHM-8-8822/17	1114		236	273																			555
7.5	KHHM-10-8822/17	1152	735	236	273	624	540	280	40	115	42	524	420	52	4-φ33	526	610	230	165	120	32×18×11	M20	34	562
11	KHHM-15-8822/17	1227		301	334																			613
15	KHHM-20-8822/17	1271		301	334																			621
2.2	KHHM-3-8823/16	1124		199	219																			598
3.7	KHHM-5-8823/16	1111		216	238																			602
5.5	KHHM-8-8823/16	1157		236	273																			630
7.5	KHHM-10-8823/16	1195	778	236	273	674	580	300	45	120	47	564	460	52	4-φ33	562	667	260	200	130	32×18×11	M24	41	637
11	KHHM-15-8823/16	1270		301	334																			688
15	KHHM-20-8823/16	1314		301	334																			696
7.5	KHHM-10-8823/18	1226		236	275																			670
11	KHHM-15-8823/18	1294		301	334																			721
15	KHHM-20-8823/18	1338	800	301	334	674	580	300	45	120	47	564	460	52	4-φ33	562	667	260	200	130	32×18×11	M24	41	746
18.5	KHHM-25-8823/18	1361		325	382																			744
22	KHHM-30-8823/18	1361		325	382																			744
2.2	KHHM-3-8824/16	1162		199	219																			703
3.7	KHHM-5-8824/16	1149		216	238																			707
5.5	KHHM-8-8824/16	1195		236	273																			735
7.5	KHHM-10-8824/16	1233	816	236	273	724	630	335	45	128	47	584	480	52	4-φ39	614	729	263	200	140	36×20×12	M24	41	742
11	KHHM-15-8824/16	1308		301	334																			793
15	KHHM-20-8824/16	1352		301	334																			801
7.5	KHHM-10-8824/18	1263		236	273																			775
11	KHHM-15-8824/18	1331		301	334																			826
15	KHHM-20-8824/18	1375	837	301	334	724	630	335	45	128	47	584	480	52	4-φ39	614	729	263	200	140	36×20×12	M24	41	834
18.5	KHHM-25-8824/18	1398		325	382																			862
22	KHHM-30-8824/18	1398		325	382																			862
3.7	KHHM-5-8825/17	1301		216	238																			1064
5.5	KHHM-8-8825/17	1335		236	273																			1092
7.5	KHHM-10-8825/17	1373		236	273																			1099
11	KHHM-15-8825/17	1448	956	301	334	784	670	375	50	140	57	634	520	57	4-φ39	670	815	320	240	160	40×22×13	M30	49	1150
15	KHHM-20-8825/17	1492		301	334																			1158
18.5	KHHM-25-8825/17	1517		325	382																			1190
22	KHHM-30-8825/17	1517		325	382																			1190
7.5	KHHM-10-8825/19	1401		236	273																			1081
11	KHHM-15-8825/19	1476		301	334																			1225
15	KHHM-20-8825/19	1520		301	334																			1233
18.5	KHHM-25-8825/19	1539	978	325	382	784	670	375	50	140	57	634	520	57	4-φ39	670	815	320	240	160	40×22×13	M30	49	1264
22	KHHM-30-8825/19	1539		325	382																			1264
30	KHHM-40-8825/19	1577		316	382																			1280
5.5	KHHM-8-8826/19	1473		236	273																			1423
7.5	KHHM-10-8826/19	1511		236	273																			1430
11	KHHM-15-8826/19	1586		301	334																			1481
15	KHHM-20-8826/19	1630		301	33																			1489
18.5	KHHM-25-8826/19	1649	1088	325	4382	884	770	400	55	160	57	704	590	57	4-φ45	736	874	390	300	170	40×22×13	M30	49	1519
22	KHHM-30-8826/19	1649		325	382																			1519
30	KHHM-40-8826/19	1687		316	382																			1535
37	KHHM-50-8826/19	1750		364	420																			1625
5.5	KHHM-8-8827/19	1734		236	273																			2563
7.5	KHHM-10-8827/19	1772		236	273																			2570
11	KHHM-15-8827/19	1847		301	334																			2621
15	KHHM-20-8827/19	1891		301	334																			2629
18.5	KHHM-25-8827/19	1910	1349	325	382	1164	1050	540	60	200	57	1044	840	102	6-φ45	950	1161	485	330	180	45×25×15	M30	52	2654
22	KHHM-30-8827/19	1910		325	382																			2654
30	KHHM-40-8827/19	1948		316	382																			2670
37	KHHM-50-8827/19	2011		364	420																			2765

A  
B  
C  
D  
E  
F  
G