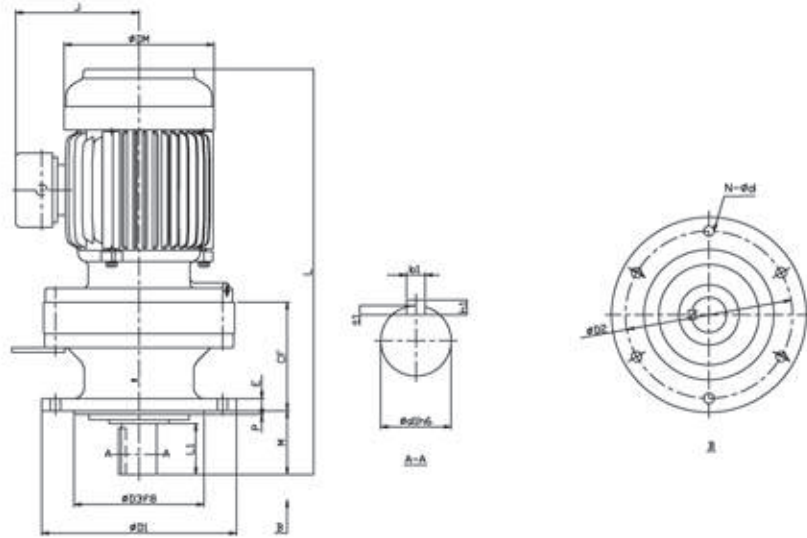


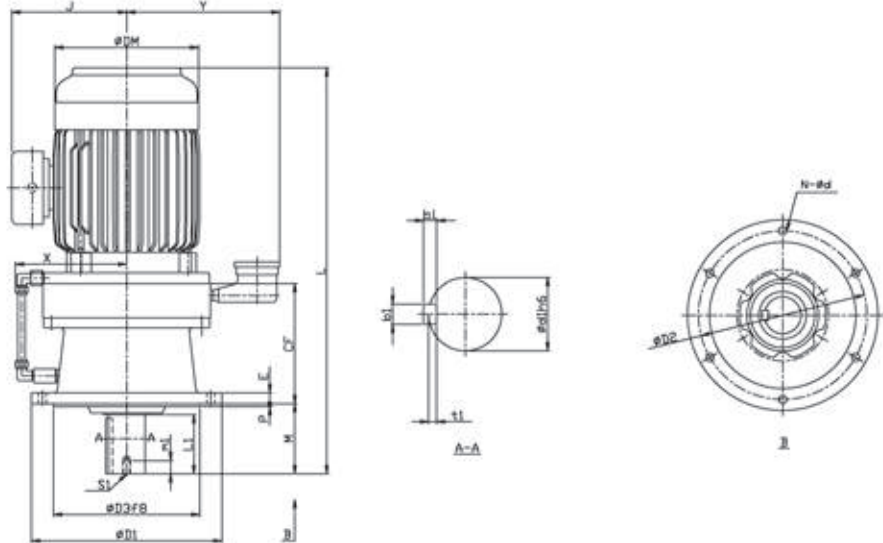
(kW)	Model	Dim. Of side																Output shaft					WT (kg)	
		L	A	J	DM	N	F	C	R	V	Q	M	E	P	d	DC	H	G	L1	d1	b1×h1×t1	S1		m1
0.75	KHHM-1-8822/13	952		162	177																			460
1.5	KHHM-2-8822/13	1009		178	200																			462
2.2	KHHM-3-8822/13	1038	692	199	219	624	540	280	40	115	42	524	420	52	4-φ33	526	610	230	165	120	32×18×11	M20	34	478
3.7	KHHM-5-8822/13	1022		216	238																			482
5.5	KHHM-8-8822/13	1066		236	273																			510
7.5	KHHM-10-8822/13	1104		236	273																			517
3.7	KHHM-5-8822/17	1080		216	238																			527
5.5	KHHM-8-8822/17	1114		236	273																			555
7.5	KHHM-10-8822/17	1152	735	236	273	624	540	280	40	115	42	524	420	52	4-φ33	526	610	230	165	120	32×18×11	M20	34	562
11	KHHM-15-8822/17	1227		301	334																			613
15	KHHM-20-8822/17	1271		301	334																			621
2.2	KHHM-3-8823/16	1124		199	219																			598
3.7	KHHM-5-8823/16	1111		216	238																			602
5.5	KHHM-8-8823/16	1157	778	236	273	674	580	300	45	120	47	564	460	52	4-φ33	562	667	260	200	130	32×18×11	M24	41	630
7.5	KHHM-10-8823/16	1195		236	273																			637
11	KHHM-15-8823/16	1270		301	334																			688
15	KHHM-20-8823/16	1314		301	334																			696
7.5	KHHM-10-8823/18	1226		236	275																			670
11	KHHM-15-8823/18	1294		301	334																			721
15	KHHM-20-8823/18	1338	800	301	334	674	580	300	45	120	47	564	460	52	4-φ33	562	667	260	200	130	32×18×11	M24	41	746
18.5	KHHM-25-8823/18	1361		325	382																			744
22	KHHM-30-8823/18	1361		325	382																			744
2.2	KHHM-3-8824/16	1162		199	219																			703
3.7	KHHM-5-8824/16	1149		216	238																			707
5.5	KHHM-8-8824/16	1195	816	236	273	724	630	335	45	128	47	584	480	52	4-φ39	614	729	263	200	140	36×20×12	M24	41	735
7.5	KHHM-10-8824/16	1233		236	273																			742
11	KHHM-15-8824/16	1308		301	334																			793
15	KHHM-20-8824/16	1352		301	334																			801
7.5	KHHM-10-8824/18	1263		236	273																			775
11	KHHM-15-8824/18	1331		301	334																			826
15	KHHM-20-8824/18	1375	837	301	334	724	630	335	45	128	47	584	480	52	4-φ39	614	729	263	200	140	36×20×12	M24	41	834
18.5	KHHM-25-8824/18	1398		325	382																			862
22	KHHM-30-8824/18	1398		325	382																			862
3.7	KHHM-5-8825/17	1301		216	238																			1064
5.5	KHHM-8-8825/17	1335		236	273																			1092
7.5	KHHM-10-8825/17	1373		236	273																			1099
11	KHHM-15-8825/17	1448	956	301	334	784	670	375	50	140	57	634	520	57	4-φ39	670	815	320	240	160	40×22×13	M30	49	1150
15	KHHM-20-8825/17	1492		301	334																			1158
18.5	KHHM-25-8825/17	1517		325	382																			1190
22	KHHM-30-8825/17	1517		325	382																			1190
7.5	KHHM-10-8825/19	1401		236	273																			1081
11	KHHM-15-8825/19	1476		301	334																			1225
15	KHHM-20-8825/19	1520	978	301	334	784	670	375	50	140	57	634	520	57	4-φ39	670	815	320	240	160	40×22×13	M30	49	1233
18.5	KHHM-25-8825/19	1539		325	382																			1264
22	KHHM-30-8825/19	1539		325	382																			1264
30	KHHM-40-8825/19	1577		316	382																			1280
5.5	KHHM-8-8826/19	1473		236	273																			1423
7.5	KHHM-10-8826/19	1511		236	273																			1430
11	KHHM-15-8826/19	1586		301	334																			1481
15	KHHM-20-8826/19	1630	1088	301	33	884	770	400	55	160	57	704	590	57	4-φ45	736	874	390	300	170	40×22×13	M30	49	1489
18.5	KHHM-25-8826/19	1649		325	4382																			1519
22	KHHM-30-8826/19	1649		325	382																			1519
30	KHHM-40-8826/19	1687		316	382																			1535
37	KHHM-50-8826/19	1750		364	420																			1625
5.5	KHHM-8-8827/19	1734		236	273																			2563
7.5	KHHM-10-8827/19	1772		236	273																			2570
11	KHHM-15-8827/19	1847		301	334																			2621
15	KHHM-20-8827/19	1891	1349	301	334	1164	1050	540	60	200	57	1044	840	102	6-φ45	950	1161	485	330	180	45×25×15	M30	52	2629
18.5	KHHM-25-8827/19	1910		325	382																			2654
22	KHHM-30-8827/19	1910		325	382																			2654
30	KHHM-40-8827/19	1948		316	382																			2670
37	KHHM-50-8827/19	2011		364	420																			2765

A  
B  
C  
D  
E  
F  
G

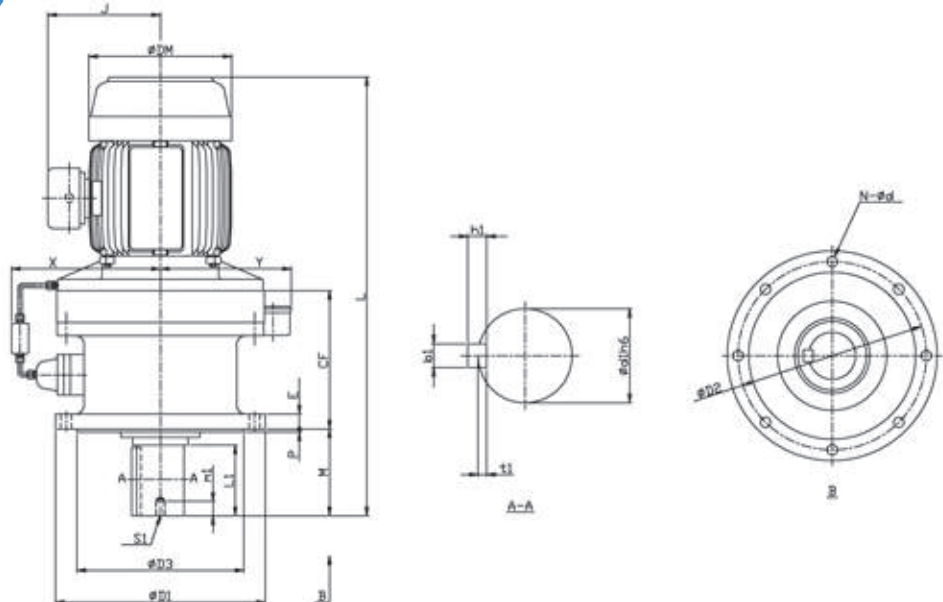
● KNVM 8807 ~ 8812



● KDVM 8813 ~ 8814



● KDVM 8816 ~ 8817

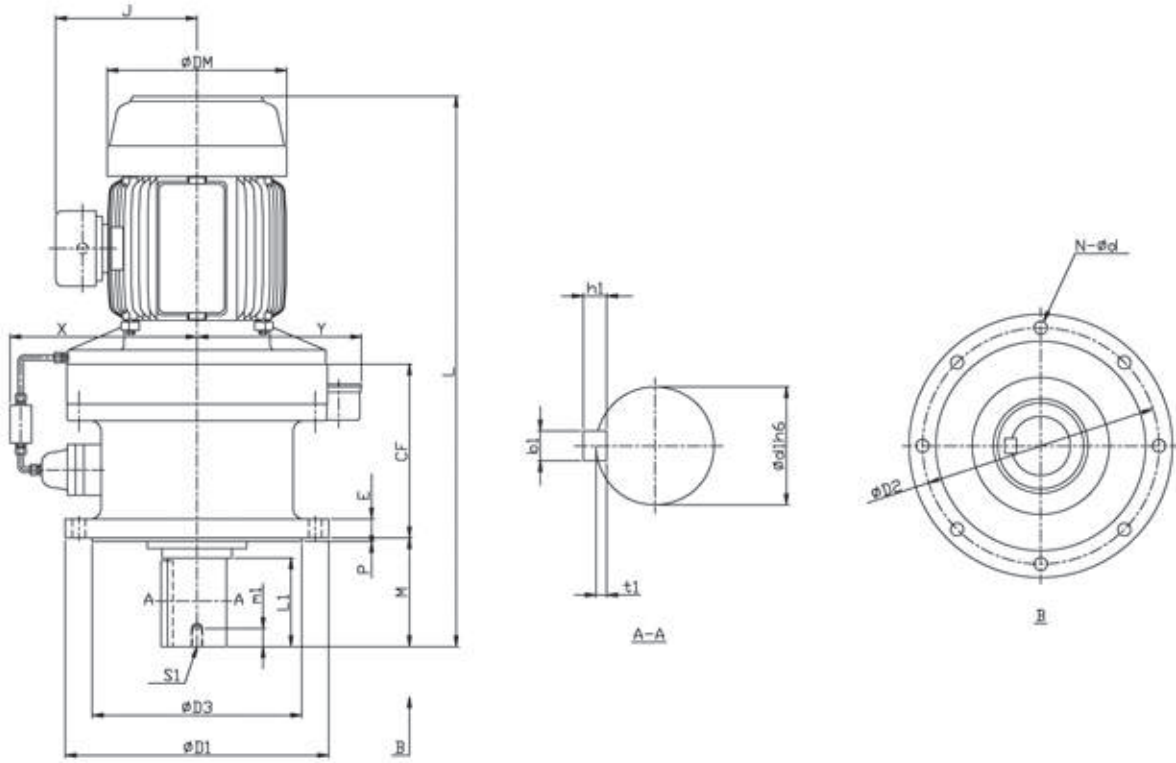


※주의 전체길이 "L"은 모터의 연결방식과 Brake부착에 따라 다소 길어짐.

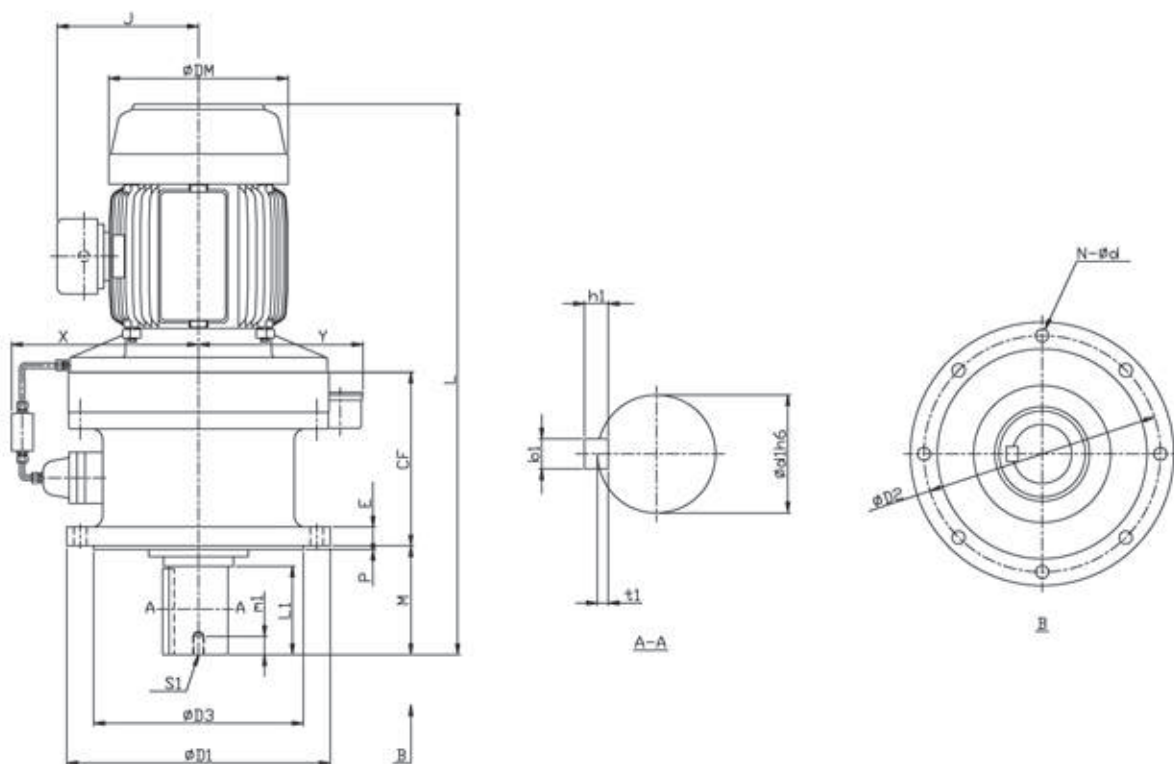
(kW)	Model	Dim. Of side											Output shaft		WT (kg)
		L	J	DM	D1	D3	CF	E	P	M	D2	N	d1	b1×h1×t1	
0.2	KNVM-02-8807	311	121	144	120	80	58	8	3	34	102	6-φ9	φ14	5×5×3	13
0.2	KNVM-02-8808	317	121	144	160	110	56	9	3	42	134	4-φ11	φ18	6×6×3.5	14
0.4	KNVM-05-8808	388	132	162											16
0.2	KNVM-02-8809	361	121	144											18
0.4	KNVM-05-8809	382	158	162	160	110	94	9	3	48	134	4-φ11	φ28	8×7×4	39
0.75	KNVM-1-8809	381	158	177											39
0.2	KNVM-02-8810	375	121	144											20
0.4	KNVM-05-8810	416	158	162											42
0.75	KNVM-1-8810	416	158	177	160	110	108	9	3	48	134	4-φ11	φ28	8×7×4	42
1.5	KNVM-2-8810	471	172	200											44
2.2	KNVM-3-8810	502	180	219											60
0.4	KNVM-02-8811	446	158	162											54
0.75	KNVM-05-8811	446	158	177											54
1.5	KNVM-1-8811	501	172	200	210	140	117	13	4	69	180	6-φ11	φ38	10×8×5	56
2.2	KNVM-2-8811	532	180	219											72
3.7	KNVM-3-8811	516	205	238											76
0.4	KNVM-05-8812	446	158	162											54
0.75	KNVM-1-8812	446	158	177											54
1.5	KNVM-2-8812	501	172	200	210	140	117	13	4	69	180	6-φ11	φ38	10×8×5	56
2.2	KNVM-3-8812	532	180	219											72
3.7	KNVM-5-8812	516	202	238											76
0.75	KDVM-1-8813	500	158	177											73
1.5	KDVM-2-8813	555	172	200											75
2.2	KDVM-3-8813	586	180	219	260	200	164	15	4	76	230	6-φ11	φ50	14×9×5.5	91
3.7	KDVM-5-8813	570	205	238											95
5.5	KDVM-8-8813	619	220	273											123
7.5	KDVM-10-8813	657	220	273											130
0.75	KDVM-1-8814	520	158	177											73
1.5	KDVM-2-8814	575	172	200											75
2.2	KDVM-3-8814	606	180	219	260	200	164	15	4	96	230	6-φ11	φ50	14×9×5.5	91
3.7	KDVM-5-8814	590	205	238											95
5.5	KDVM-8-8814	639	220	273											123
7.5	KDVM-10-8814	677	220	273											130
1.5	KDVM-2-8816	623	172	200											112
2.2	KDVM-3-8816	654	180	219											128
3.7	KDVM-5-8816	641	205	238											132
5.5	KDVM-8-8816	687	220	273	340	270	219	20	4	89	310	6-φ11	φ60	18×11×7	160
7.5	KDVM-10-8816	725	220	273											167
11	KDVM-15-8816	800	272	334											218
15	KDVM-20-8816	844	272	334											226
3.7	KDVM-5-8817	697	205	238											177
5.5	KDVM-8-8817	731	220	273											205
7.5	KDVM-10-8817	769	220	273											212
11	KDVM-15-8817	844	272	334	400	316	258	22	5	94	360	8-φ14	φ70	20×12×7.5	263
15	KDVM-20-8817	888	272	334											271
18.5	KDVM-25-8817	911	282	382											286
22	KDVM-30-8817	911	282	382											286

A  
B  
C  
D  
E  
F  
G

● KDVM 8818 ~ 8822



● KDVM 8823 ~ 8826

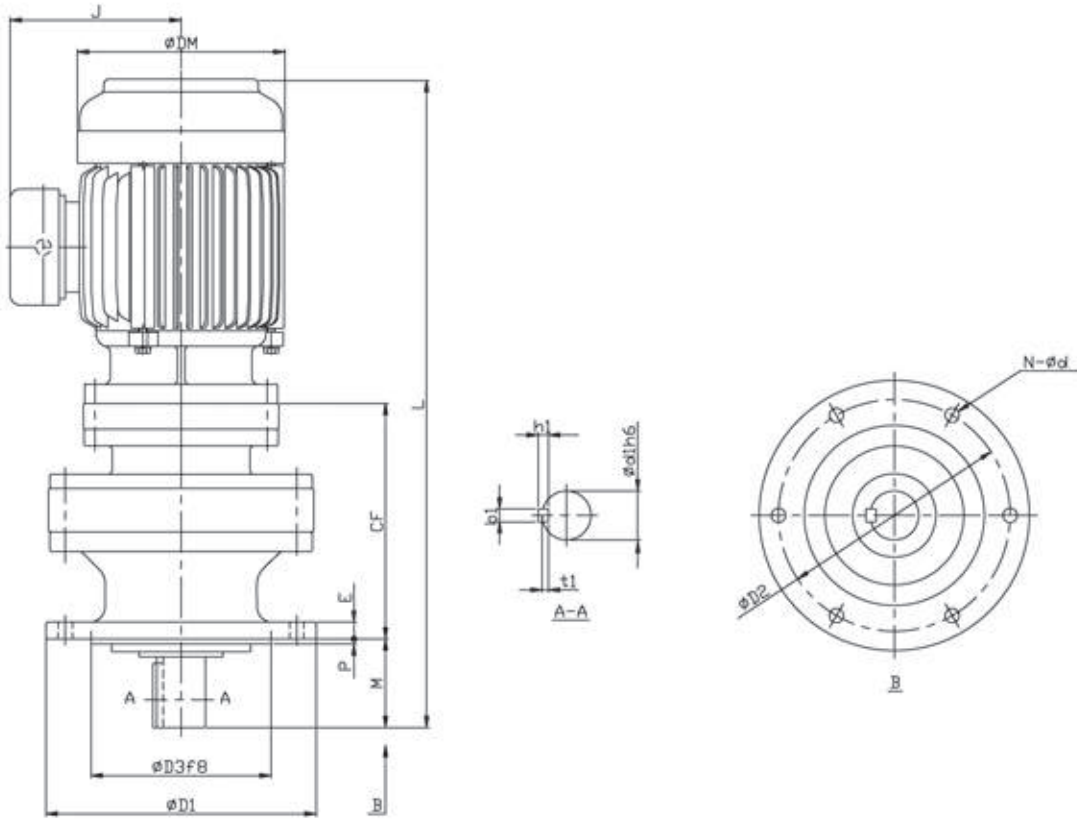


※주의 전체길이 "L"은 모터의 연결방식과 Brake부착에 따라 다소 길어짐.

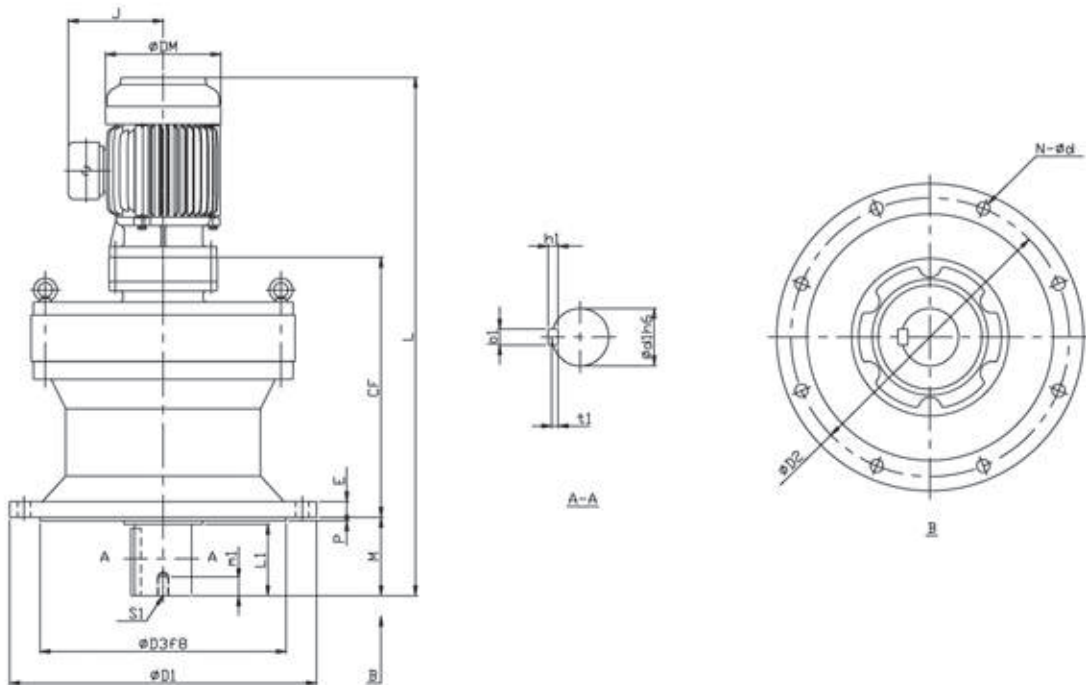
(kW)	Model	Dim. Of side											Output saft		WT (kg)	
		L	J	DM	D1	D3	CF	E	P	M	D2	N	d1	b1×h1×t1		
3.7	KDVM-5-8818	756	205	238												202
5.5	KDVM-8-8818	775	220	273												230
7.5	KDVM-10-8818	815	220	273												237
11	KDVM-15-8818	883	272	334	430	345	279	22	5	110	390	8-φ18	φ80	22×14×9	288	
15	KDVM-20-8818	927	272	334											296	
18.5	KDVM-25-8818	950	282	382											311	
22	KDVM-30-8818	950	282	382											311	
30	KDVM-40-8818	988	288	382											332	
5.5	KDVM-8-8819	844	220	273											306	
7.5	KDVM-10-8819	888	220	273											313	
11	KDVM-15-8819	963	272	334											364	
15	KDVM-20-8819	1007	272	334	490	400	320	30	6	145	450	12-φ18	φ95	25×14×9	372	
18.5	KDVM-25-8819	1026	305	382											387	
22	KDVM-30-8819	1026	305	382											387	
30	KDVM-40-8819	1064	305	382											408	
37	KDVM-50-8819	1127	409	420											508	
11	KDVM-15-8820	1001	272	334											303	
15	KDVM-20-8820	1045	272	334											391	
18.5	KDVM-25-8820	1064	305	382											406	
22	KDVM-30-8820	1102	305	382	455	355	298	30	5	204	405	8-φ22	φ100	28×16×10	406	
30	KDVM-40-8820	1165	305	382											427	
37	KDVM-50-8820	1165	409	420											527	
45	KDVM-60-8820	1165	409	420											527	
11	KDVM-15-8821	1025	272	334											453	
15	KDVM-20-8821	1069	272	334											461	
18.5	KDVM-25-8821	1088	305	382											476	
22	KDVM-30-8821	1088	305	382	490	390	323	35	7	203	440	8-φ24	φ110	28×22×10	476	
30	KDVM-40-8821	1126	305	382											497	
37	KDVM-50-8821	1189	409	420											597	
45	KDVM-60-8821	1189	409	420											597	
55	KDVM-75-8821	1227	434	458											660	
18.5	KDVM-25-8822	1128	305	382											559	
22	KDVM-30-8822	1128	305	382											559	
30	KDVM-40-8822	1166	305	382	535	415	356	35	10	210	475	8-φ27	φ120	32×18×11	580	
37	KDVM-50-8822	1229	409	420											680	
45	KDVM-60-8822	1229	409	420											680	
55	KDVM-75-8822	1289	434	458											743	
15	KDVM-20/6-8823	1200	305	382											636	
18.5	KDVM-25/6-8823	1238	305	382											657	
22	KDVM-30/6-8823	1238	305	382											657	
30	KDVM-40/6-8823	1400	409	420	570	450	378	40	10	250	510	8-φ27	φ130	32×18×11	757	
37	KDVM-50/6-8823	1400	409	420											757	
45	KDVM-60/6-8823	1430	434	458											820	
55	KDVM-75/6-8823	1492	495	542											965	
15	KDVM-20/6-8824	1225	305	382											731	
18.5	KDVM-25/6-8824	1263	305	382											752	
22	KDVM-30/6-8824	1263	305	382											752	
30	KDVM-40/6-8824	1345	409	420	635	485	407	40	10	250	560	8-φ33	φ140	36×20×12	852	
37	KDVM-50/6-8824	1345	409	420											852	
45	KDVM-60/6-8824	1383	434	458											915	
55	KDVM-75/6-8824	1572	495	542											1060	
18.5	KDVM-25/6-8825	1390	305	382											1048	
22	KDVM-30/6-8825	1390	305	382											1048	
30	KDVM-40/6-8825	1453	409	420	685	535	480	45	10	295	610	8-φ33	φ160	40×22×13	1148	
37	KDVM-50/6-8825	1453	409	420											1148	
45	KDVM-60/6-8825	1491	434	458											1211	
55	KDVM-75/6-8825	1540	495	542											1356	
30	KDVM-40/6-8826	1570	409	420											1407	
37	KDVM-50/6-8826	1570	409	420	750	570	532	50	10	360	660	8-φ39	φ170	40×22×13	1407	
45	KDVM-60/6-8826	1680	434	458											1470	

A  
B  
C  
D  
E  
F  
G

● KNVM 8807/07 ~ 8811/09



● KDVM 8813/08 ~ 8817/11



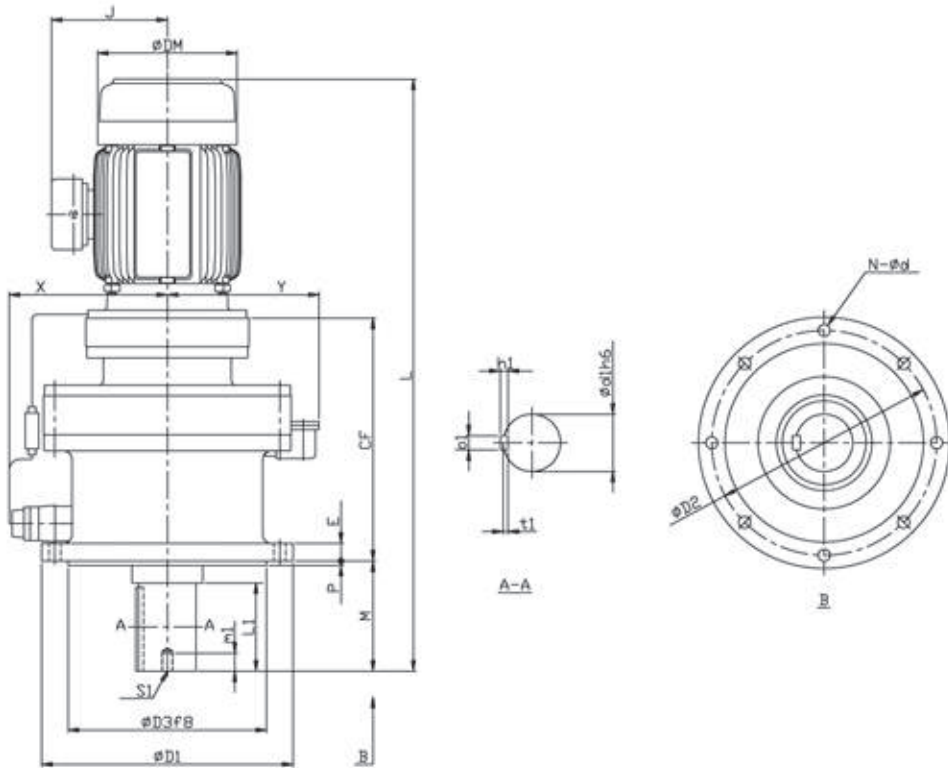
※주의 전체길이 "L"은 모터의 연결방식과 Brake부착에 따라 다소 길어짐.



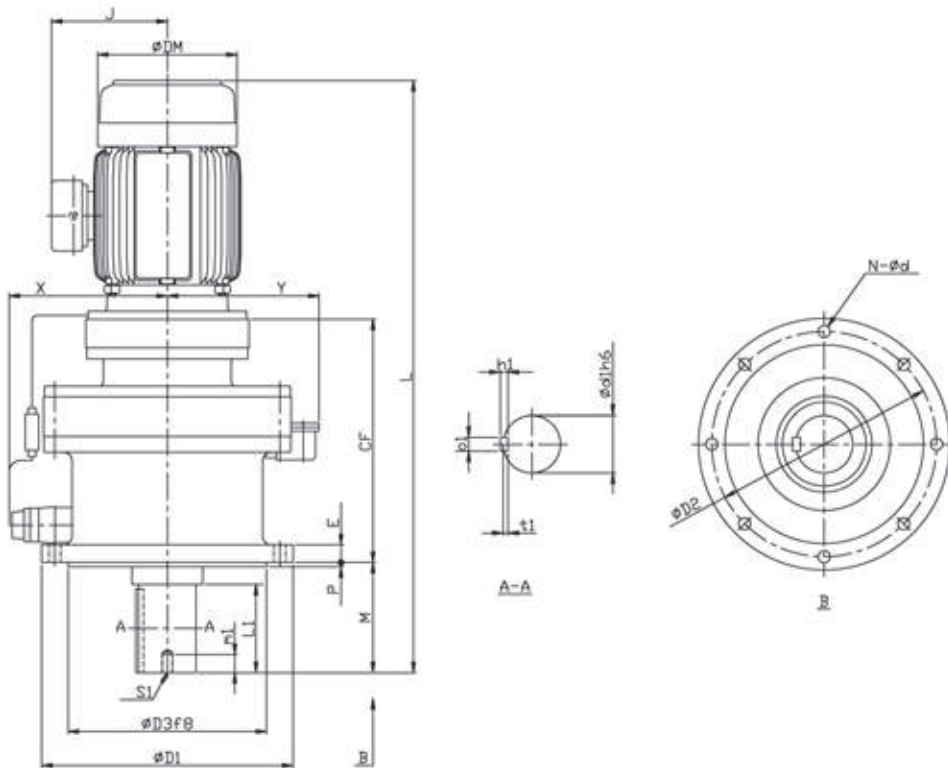
(kW)	Model	Dim. Of side											Output shaft		WT (kg)
		L	J	DM	D1	D3	CF	E	P	M	D2	N	d1	b1×h1×t1	
0.1	KNVM-01-8807/07	307	85	124	120	80	91	8	3	34	102	6-φ9	φ14	5×5×3	11
0.1	KNVM-01-8808/07	324	85	124	160	110	89	9	3	42	134	4-φ11	φ18	6×6×3.5	12
0.2	KNVM-02-8809/08	409	121	144	160	110	142	9	3	48	134	4-φ11	φ28	8×7×4	21
0.2	KNVM-02-8810/08	433	121	144	160	110	156	9	3	48	134	4-φ11	φ28	8×7×4	22
0.4	KNVM-05-8810/08	444	132	162	160	110	156	9	3	48	134	4-φ11	φ28	8×7×4	25
0.2	KNVM-02-8811/08	459	121	144	210	140	171	13	4	69	180	6-φ11	φ38	10×8×5	33
0.4	KNVM-05-8811/08	480	132	167	210	140	171	13	4	69	180	6-φ11	φ38	10×8×5	37
0.2	KNVM-02-8811/09	471	121	144	210	140	183	13	4	69	180	6-φ11	φ38	10×8×5	39
0.4	KNVM-05-8811/09	512	162	162	210	140	183	13	4	69	180	6-φ11	φ38	10×8×5	60
0.75	KNVM-01-8811/09	512	162	177	210	140	183	13	4	69	180	6-φ11	φ38	10×8×5	60
0.2	KDVM-02-8813/08	513	121	144	260	200	218	15	4	76	230	6-φ11	φ50	14×9×5.5	47
0.4	KDVM-05-8813/08	557	132	162	260	200	218	15	4	76	230	6-φ11	φ50	14×9×5.5	52
0.2	KDVM-02-8813/09	522	121	144	260	200	227	15	4	76	230	6-φ11	φ50	14×9×5.5	52
0.4	KDVM-05-8813/09	562	162	162	260	200	227	15	4	76	230	6-φ11	φ50	14×9×5.5	76
0.75	KDVM-1-8813/09	562	162	177	260	200	227	15	4	76	230	6-φ11	φ50	14×9×5.5	76
0.4	KDVM-05-8813/10	577	162	162	260	200	241	15	4	76	230	6-φ11	φ50	14×9×5.5	76
0.75	KDVM-1-8813/10	577	162	177	260	200	241	15	4	76	230	6-φ11	φ50	14×9×5.5	76
1.5	KDVM-2-8813/10	632	178	200	260	200	241	15	4	76	230	6-φ11	φ50	14×9×5.5	78
2.2	KDVM-3-8813/10	663	199	219	260	200	241	15	4	76	230	6-φ11	φ50	14×9×5.5	94
0.2	KDVM-02-8814/08	553	121	144	260	200	218	15	4	96	230	6-φ11	φ50	14×9×5.5	48
0.4	KDVM-05-8814/08	554	132	162	260	200	218	15	4	96	230	6-φ11	φ50	14×9×5.5	54
0.2	KDVM-02-8814/09	542	121	144	260	200	227	15	4	96	230	6-φ11	φ50	14×9×5.5	52
0.4	KDVM-05-8814/09	582	162	162	260	200	227	15	4	96	230	6-φ11	φ50	14×9×5.5	76
0.75	KDVM-1-8814/09	582	162	177	260	200	227	15	4	96	230	6-φ11	φ50	14×9×5.5	76
0.4	KDVM-05-8814/10	597	162	162	260	200	241	15	4	96	230	6-φ11	φ50	14×9×5.5	76
0.75	KDVM-1-8814/10	597	162	177	260	200	241	15	4	96	230	6-φ11	φ50	14×9×5.5	76
1.5	KDVM-2-8814/10	652	178	200	260	200	241	15	4	96	230	6-φ11	φ50	14×9×5.5	78
2.2	KDVM-3-8814/10	683	199	219	260	200	241	15	4	96	230	6-φ11	φ50	14×9×5.5	94
0.2	KDVM-02-8816/09	592	121	144	340	270	285	20	4	89	310	6-φ11	φ60	18×11×7	88
0.4	KDVM-05-8816/09	633	162	162	340	270	285	20	4	89	310	6-φ11	φ60	18×11×7	111
0.75	KDVM-1-8816/09	633	162	177	340	270	285	20	4	89	310	6-φ11	φ60	18×11×7	111
0.4	KDVM-05-8816/10	647	162	162	340	270	299	20	4	89	310	6-φ11	φ60	18×11×7	113
0.75	KDVM-1-8816/10	647	162	177	340	270	299	20	4	89	310	6-φ11	φ60	18×11×7	113
1.5	KDVM-2-8816/10	702	178	200	340	270	299	20	4	89	310	6-φ11	φ60	18×11×7	115
2.2	KDVM-3-8816/10	733	199	219	340	270	299	20	4	89	310	6-φ11	φ60	18×11×7	131
0.4	KDVM-05-8816/11	649	162	162	340	270	300	20	4	89	310	6-φ11	φ60	18×11×7	120
0.75	KDVM-1-8816/11	649	162	177	340	270	300	20	4	89	310	6-φ11	φ60	18×11×7	120
1.5	KDVM-2-8816/11	702	178	200	340	270	300	20	4	89	310	6-φ11	φ60	18×11×7	122
2.2	KDVM-3-8816/11	733	199	219	340	270	300	20	4	89	310	6-φ11	φ60	18×11×7	137
3.7	KDVM-5-8816/11	719	216	238	340	270	300	20	4	89	310	6-φ11	φ60	18×11×7	142
0.2	KDVM-02-8817/09	637	121	144	400	316	324	22	5	94	360	8-φ14	φ70	20×12×7.5	125
0.4	KDVM-05-8817/09	678	162	162	400	316	324	22	5	94	360	8-φ14	φ70	20×12×7.5	150
0.75	KDVM-1-8817/09	678	162	177	400	316	324	22	5	94	360	8-φ14	φ70	20×12×7.5	150
0.4	KDVM-05-8817/10	672	132	162	400	316	338	22	5	94	360	8-φ14	φ70	20×12×7.5	155
0.75	KDVM-1-8817/10	671	137	177	400	316	338	22	5	94	360	8-φ14	φ70	20×12×7.5	155
1.5	KDVM-2-8817/10	708	150	200	400	316	338	22	5	94	360	8-φ14	φ70	20×12×7.5	157
2.2	KDVM-3-8817/10	735	173	219	400	316	338	22	5	94	360	8-φ14	φ70	20×12×7.5	173
0.4	KDVM-05-8817/11	696	162	162	400	316	342	22	5	94	360	8-φ14	φ70	20×12×7.5	160
0.75	KDVM-1-8817/11	696	162	177	400	316	342	22	5	94	360	8-φ14	φ70	20×12×7.5	160
1.5	KDVM-2-8817/11	751	178	200	400	316	342	22	5	94	360	8-φ14	φ70	20×12×7.5	162
2.2	KDVM-3-8817/11	782	199	219	400	316	342	22	5	94	360	8-φ14	φ70	20×12×7.5	178
3.7	KDVM-5-8817/11	766	216	238	400	316	342	22	5	94	360	8-φ14	φ70	20×12×7.5	182

A  
B  
C  
D  
E  
F  
G

● KDVM 8818/10 ~ 8819/13



● KDVM 8820/11 ~ 8821/16



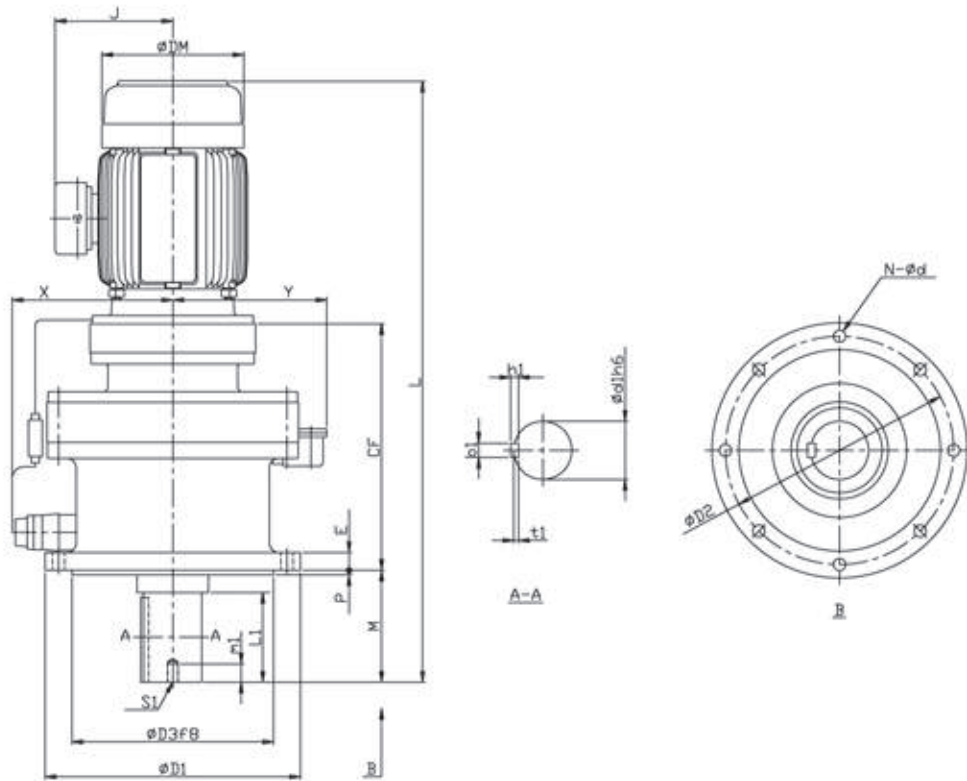
※주의 전체길이 "L"은 모터의 연결방식과 Brake부착에 따라 다소 길어짐.



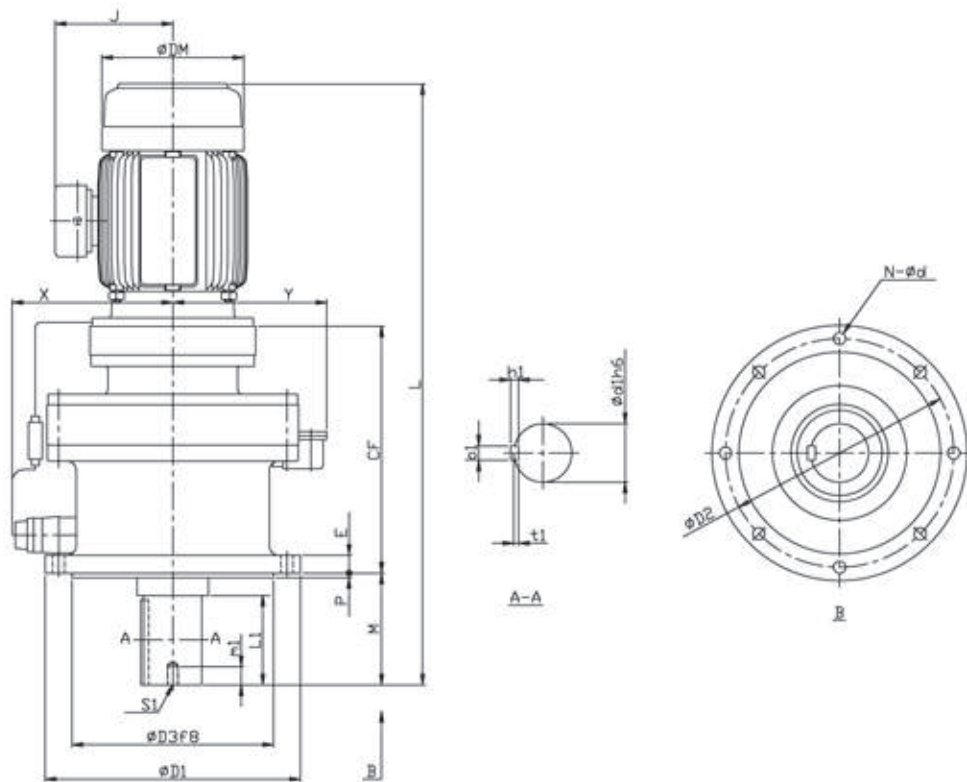
(kW)	Model	Dim. Of side											Output shaft		WT (kg)	
		L	J	DM	D1	D3	CF	E	P	M	D2	N	d1	b1×h1×t1		
0.4	KDVM-05-8818/10	734	162	162												184
0.75	KDVM-1-8818/10	734	162	177	430	345	364	22	5	110	390	8-φ18	φ80	22×14×9	184	
1.5	KDVM-2-8818/10	789	178	200											186	
2.2	KDVM-3-8818/10	820	199	219											202	
0.75	KDVM-1-8818/13	756	162	177											203	
1.5	KDVM-2-8818/13	811	178	200											205	
2.2	KDVM-3-8818/13	842	199	219	430	345	356	22	5	110	390	8-φ18	φ80	22×14×9	221	
3.7	KDVM-5-8818/13	826	216	238											226	
5.5	KDVM-8-8818/13	870	236	273											253	
7.5	KDVM-10-8818/13	908	236	273											260	
0.4	KDVM-05-8819/11	816	162	162											258	
0.75	KDVM-1-8819/11	816	162	177											258	
1.5	KDVM-2-8819/11	871	178	200	490	400	411	30	6	145	450	12-φ18	φ95	25×14×9	260	
2.2	KDVM-3-8819/11	902	199	219											276	
3.7	KDVM-5-8819/11	883	216	238											280	
0.75	KDVM-1-8819/13	832	162	177											268	
1.5	KDVM-2-8819/13	887	178	200											270	
2.2	KDVM-3-8819/13	918	199	219	490	400	427	30	6	145	450	12-φ18	φ95	25×14×9	286	
3.7	KDVM-5-8819/13	902	216	238											290	
5.5	KDVM-8-8819/13	946	236	273											318	
7.5	KDVM-10-8819/13	984	236	273											325	
0.4	KDVM-05-8820/11	857	162	162											279	
0.75	KDVM-1-8820/11	857	162	177											279	
1.5	KDVM-2-8820/11	912	178	200	455	355	393	30	5	204	405	8-φ22	φ100	28×16×10	281	
2.2	KDVM-3-8820/11	943	199	219											297	
3.7	KDVM-5-8820/11	924	216	238											301	
0.75	KDVM-1-8820/13	884	162	177											293	
1.5	KDVM-2-8820/13	939	178	200											295	
2.2	KDVM-3-8820/13	970	199	219	455	355	420	30	5	204	405	8-φ22	φ100	28×16×10	311	
3.7	KDVM-5-8820/13	954	216	238											315	
5.5	KDVM-8-8820/13	998	236	273											343	
7.5	KDVM-10-8820/13	1036	236	273											350	
0.75	KDVM-1-8821/13	910	162	177											373	
1.5	KDVM-2-8821/13	965	178	200											375	
2.2	KDVM-3-8821/13	996	199	2198	490	390	447	35	7	203	440	8-φ24	φ110	28×16×10	391	
3.7	KDVM-5-8821/13	980	216	238											395	
5.5	KDVM-8-8821/13	1024	236	273											423	
7.5	KDVM-10-8821/13	1062	236	273											430	
2.2	KDVM-2-8821/16	1021	199	219											411	
3.7	KDVM-3-8821/16	1008	216	238											415	
5.5	KDVM-5-8821/16	1054	236	273	490	390	472	35	7	203	440	8-φ24	φ110	28×16×10	443	
7.5	KDVM-8-8821/16	1092	236	273											450	
11	KDVM-10-8821/16	1167	301	334											501	

A  
B  
C  
D  
E  
F  
G

● KDVM 8822/13 ~ 8823/18



● KDVM 8824/16 ~ 8826/19



※주의 전체길이 "L"은 모터의 연결방식과 Brake부착에 따라 다소 길어짐.

(kW)	Model	Dim. Of side											Output shaft		WT (kg)	
		L	J	DM	D1	D3	CF	E	P	M	D2	N	d1	b1×h1×t1		
0.75	KDVM-1-8822/13	952	162	177												446
1.5	KDVM-2-8822/13	1007	178	200												448
2.2	KDVM-3-8822/13	1038	199	219												464
3.7	KDVM-5-8822/13	1022	216	238	535	415	482	35	10	210	475	8-φ27	φ120	32×18×11	468	
5.5	KDVM-8-8822/13	1066	236	273												496
7.5	KDVM-10-8822/13	1104	236	272												503
3.7	KDVM-5-8822/17	1080	216	238												513
5.5	KDVM-8-8822/17	1114	236	273												541
7.5	KDVM-10-8822/17	1152	236	273	535	415	525	35	10	210	475	8-φ27	φ120	32×18×11	548	
11	KDVM-15-8822/17	1227	301	334												599
15	KDVM-20-8822/17	1271	301	334												607
2.2	KDVM-3-8823/16	1124	199	219												570
3.7	KDVM-5-8823/16	1111	216	238												574
5.5	KDVM-8-8823/16	1157	236	273												602
7.5	KDVM-10-8823/16	1195	236	273	570	450	529	40	10	250	510	8-φ27	φ130	32×18×11	609	
11	KDVM-15-8823/16	1270	301	334												660
15	KDVM-20-8823/16	1314	301	334												668
7.5	KDVM-10-8823/18	1226	236	273												642
11	KDVM-15-8823/18	1294	301	334												693
15	KDVM-20-8823/18	1338	301	334	570	450	551	40	10	250	510	8-φ27	φ130	32×18×11	715	
18.5	KDVM-25-8823/18	1361	325	382												718
22	KDVM-30-8823/18	1361	325	382												718
2.2	KDVM-3-8824/16	1162	199	219												657
3.7	KDVM-5-8824/16	1149	216	236												664
5.5	KDVM-8-8824/16	1195	236	273												692
7.5	KDVM-10-8824/16	1233	236	273	635	485	566	40	10	250	560	8-φ33	φ140	36×20×12	699	
11	KDVM-15-8824/16	1308	301	334												750
15	KDVM-20-8824/16	1352	301	334												758
7.5	KDVM-10-8824/18	1263	236	273												729
11	KDVM-15-8824/18	1331	301	334												780
15	KDVM-20-8824/18	1375	301	334	635	485	587	40	10	250	560	8-φ33	φ140	36×20×12	788	
18.5	KDVM-25-8824/18	1398	325	382												812
22	KDVM-30-8824/18	1398	325	382												812
3.7	KDVM-5-8825/17	1301	216	238												975
5.5	KDVM-8-8825/17	1335	236	273												1003
7.5	KDVM-10-8825/17	1373	236	273												1010
11	KDVM-15-8825/17	1448	301	334	685	535	661	45	10	295	610	8-φ33	φ160	40×22×13	1061	
15	KDVM-20-8825/17	1492	301	334												1069
18.5	KDVM-25-8825/17	1517	325	382												1105
22	KDVM-30-8825/17	1517	325	382												1105
7.5	KDVM-10-8825/19	1401	236	273												1001
11	KDVM-15-8825/19	1476	301	334												1136
15	KDVM-20-8825/19	1520	301	334												1144
18.5	KDVM-25-8825/19	1539	325	382	685	535	684	45	10	295	610	8-φ33	φ160	40×22×13	1181	
22	KDVM-30-8825/19	1539	325	382												1181
30	KDVM-40-8825/19	1577	316	382												1195
5.5	KDVM-8-8826/19	1473	236	273												1358
7.5	KDVM-10-8826/19	1511	236	273												1365
11	KDVM-15-8826/19	1586	301	334												1416
15	KDVM-20-8826/19	1630	301	334												1424
18.5	KDVM-25-8826/19	1649	325	382	750	570	728	50	10	360	660	8-φ39	φ170	40×22×13	1451	
22	KDVM-30-8826/19	1649	325	382												1451
30	KDVM-40-8826/19	1687	316	382												1465
37	KDVM-50-8826/19	1750	364	420												1560

A  
B  
C  
D  
E  
F  
G